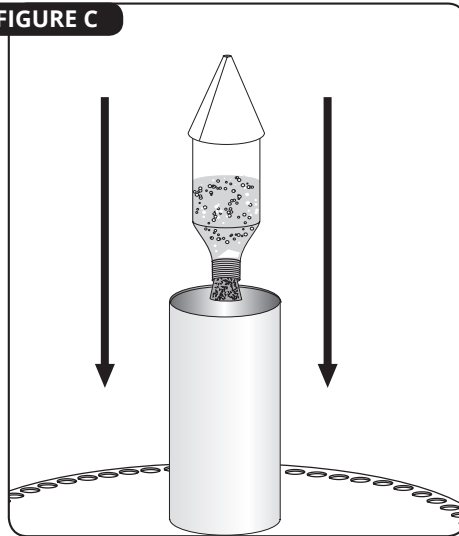


GP1546

Blast Off Rockets (Pk/12)

- Have an adult quickly cap your bottle with the cork stopper. Be sure to get the stopper in as tight as possible. The tighter it is, the better the rocket will launch. Immediately drop your rocket into the launch tube, nose cone pointing up.
- Stand back. 3, 2, 1, Launch! (it may take 2 to 3 mins. for the rocket to launch.) Be patient, if your rocket doesn't launch in 3 minutes, have an adult carefully approach the launch pad and remove the rocket. Your rocket is reuseable, just add more fuel and try again.

FIGURE C



MAKING IT EASY to SAVE MORE on your next order!

15% OFF

No \$ Minimum

Please mention Offer Code: **M2467**

Limit one per order.

May not be combined with other offers or bid or contract pricing.

See ssww.com for Offer Terms and Conditions.

We reserve the right to terminate this offer at any time without notice.

Call Toll-Free
1-800-243-9232

Online:
SSWW.COM

Email:
cservice@ssww.com

FAX:
1-800-566-6678

S&S[®]Worldwide

© Copyright 2018 S&S[®] Worldwide Inc. All rights reserved.
No part of this project may be copied or duplicated without the express written permission of S&S Worldwide.

Kit may contain silicone gel packets, which should be removed before use.

Reorder Number

GP1546

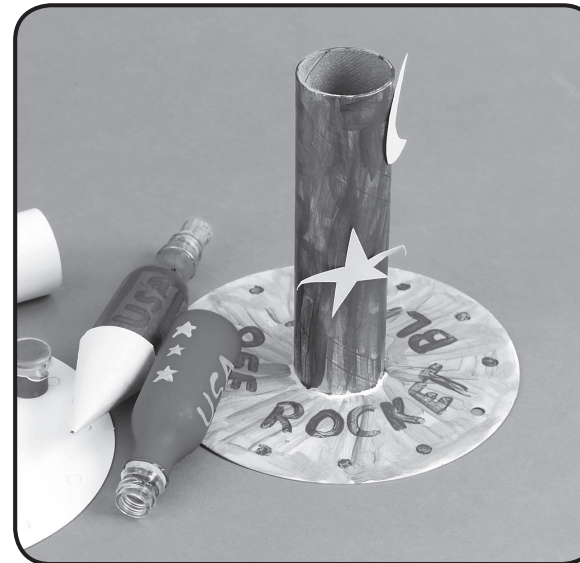
1.3

S&S[®]Worldwide

MAKING IT EASY
to Help People Play and Learn Since 1906

Blast Off Rockets (Pk/12)

PLEASE READ ALL INSTRUCTIONS BEFORE STARTING



YOUR KIT CONTAINS:

- Bottle and Stopper
- Launch Tube
- Launch Pad
- Paint and Brushes
- Construction Paper
- Glue

AGE GROUP: 8 and up
PREP TIME: 5 minutes
PROJECT TIME: 60 minutes

YOU WILL NEED:

- Scissors
- Alka-Seltzer[®]
- Water
- Spoon

INSTRUCTIONS:

1. Select one launch tube and one launch pad. Center the tube and glue it to the launch pad in the upright position. Decorate as desired. Let dry.
2. Select one sheet of construction paper. **Trace Nose Cone Template** onto the paper and cut out. Fold and apply glue as shown in **Figure A**. Let dry.
Helpful Hint - Use a paperclip or some tape to hold the nose cone's shape while the glue dries.
3. Select one bottle and one stopper. Glue the nose cone to the bottom of your bottle as shown in **Figure B**. Paint your rocket as desired. Let dry.
4. Trace shapes such as: stars, moons, comets, etc. on the remaining construction paper. Cut out and use to decorate the launch pad and tube (You may need some drying time if you glue decorations on your rocket). You are ready to launch!

FIGURE A

Overlap flaps 1/4" to 1/2" and glue in place.

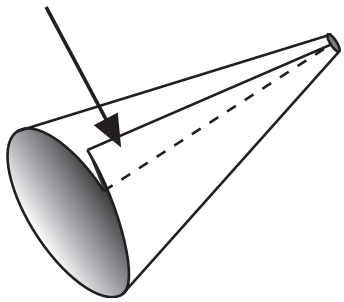
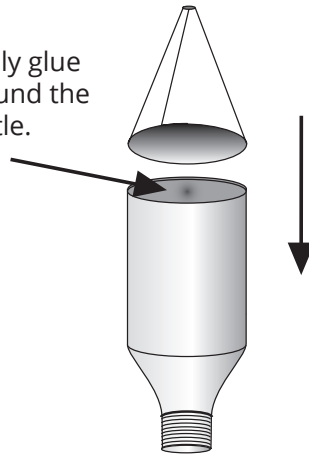


FIGURE B

Apply glue around the bottle.



LAUNCHING INSTRUCTIONS: Adult Supervision Recommended

5. Find an empty field or parking lot to use as a launch site. You will need an area at least 30 feet in diameter. Place your launch pad on a flat area.
6. Prepare your rocket fuel. - To launch one rocket you will need 3 tablespoons of water and 1/2 tablet of Alka-Seltzer®. Use a spoon to break the 1/2 tablet into pieces that will fit into the mouth of the bottle.
7. Be sure to have everyone else stand at least 15 feet from your launch pad. Add the broken Alka Seltzer® pieces into the bottle.
8. Stand near your launch pad with an adult. Have an adult hold your bottle and stopper while you pour the 3 tablespoons of water into the bottle. Pour quickly but try not to spill.

NOSE CONE TEMPLATE

