

GP576

## Heart-to-Heart Note Holders (Pk/24) Pinzas de Corazones (Pk/24)

# PLAY. LEARN. SHARE.

## [ssww.com/blog](http://ssww.com/blog)

### Find ideas on the S&S Blog:

- Crafts & DIY
- Senior Activities
- Summer Camp
- Education & Classroom



@SSWorldwidecatalog



@ssworldwide



@ssworldwide



@SSWorldwide

### MAKING IT EASY to SAVE MORE on your next order!

# 15% OFF

No \$ Minimum

Please mention Offer Code: **M2467**

Limit one per order.

May not be combined with other offers  
or bid or contract pricing.

See [ssww.com](http://ssww.com) for Offer Terms and Conditions.

We reserve the right to terminate this  
offer at any time without notice.

Call Toll-Free  
**1-800-243-9232**

Online:  
**SSWW.COM**

Email:  
**cservice@ssww.com**

FAX:  
**1-800-566-6678**

## S&S Worldwide

© Copyright 2018 S&S® Worldwide Inc. All rights reserved.  
No part of this project may be copied or duplicated without the express written permission of S&S Worldwide.

Kit may contain silicone gel packets, which should be removed before use.

número de referencia de

GP576

1.3

# S&S Worldwide

**MAKING IT EASY**  
to Help People Play and Learn Since 1906

## Heart-to-Heart Note Holders (Pk/24) Pinzas de Corazones (Pk/24)

PLEASE READ ALL INSTRUCTIONS BEFORE STARTING  
POR FAVOR LEA TODAS LAS INSTRUCCIONES ANTES DE COMENZAR



### YOUR KIT CONTAINS:

- Paint
- Brushes
- Large Wood Heart
- Small Wood Heart
- Glue
- Clothespin
- Sandpaper

### EL PAQUETE CONTIENE:

- Pintura
- Pinceles
- Pinzas de Madera
- Corazones de Madera Grande
- Corazón de Madera Pequeño
- Pega
- Papel de Lija

AGE GROUP: 8 and up  
PROJECT TIME: 45 minutes

GRUPO DE EDAD: 8+  
TIEMPO DE PROYECTO: 45 minutos

### YOU WILL NEED:

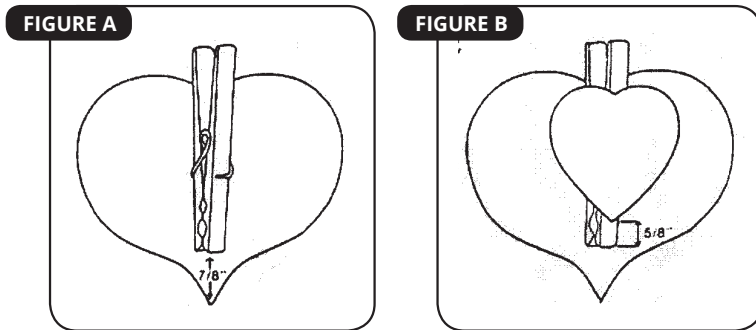
- Ruler

### USTED NECESITARÁ:

- Regla

**INSTRUCTIONS:**

1. Sand all wood parts until smooth.
2. Apply glue to one flat side of a clothespin and press it, glue side down, to the front center of the larger heart about  $7/8''$  up from the point (see Figure A).
3. Apply glue to the center of the top part of the clothespin. Press the smaller heart onto the glue about  $5/8''$  up from the end of the clothespin (see Figure B). Let dry 25-30 min.
4. Paint your note holder as desired. Let dry 20 minutes, and you will have a handy way to keep track of important notes.

**INSTRUCCIONES:**

1. Lije las piezas de madera hasta que esten bien lisas.
2. Aplique pega a uno de los lados planos de la pinza y presionelo, lado con pega hacia abajo, en el centro delantero del corazón grande. Unos  $7/8''$  de pulgada sobre la punta de el corazón.
3. Pegue el corazón pequeño sobre la pinza centrandolo bien a  $1.5\text{ cm}$  ( $5/8''$ ) de la punta de la pinza. Deje secar 25-30 minutos.
4. Pinte del color que desee. Deje secar 20 minutos, y tendrá a la mano una buena manera de mantener sus notas importantes al alcance.

