

General Wood Instructions

Sanding

The rule of sanding is "Never across the grain".

1. Do not tear sandpaper. If you do, the ragged edges will often scratch the wood surface.
2. For flat surfaces, wrap a piece of sandpaper around a block of wood or use a store bought holder. Start with a coarse grade of paper and finish with a fine grade of paper(not included).
3. Be consistent. Do not sand one area with fine and another with coarse grade.

Staining

1. Be sure the wood surface is smooth and clean. Stains can accentuate any roughness or scratches of cross grain sanding. Wipe off any dirt or dust with a soft cloth.
2. A base coat of sealer/primer and a light sanding before applying stain will insure a uniform stain.
3. Apply stains in one direction following the wood grain. Use a soft brush or foam brush. Let the stain penetrate the wood, then wipe off excess stain with a soft cloth.
4. If stain looks too dark, dampen the cloth with water/thinner and wipe until you achieve the desired color. If stain is too light, let dry, then apply another coat of stain and wipe off.

Finishes

1. Outdoor projects may be finished with polyurethane or varnish.

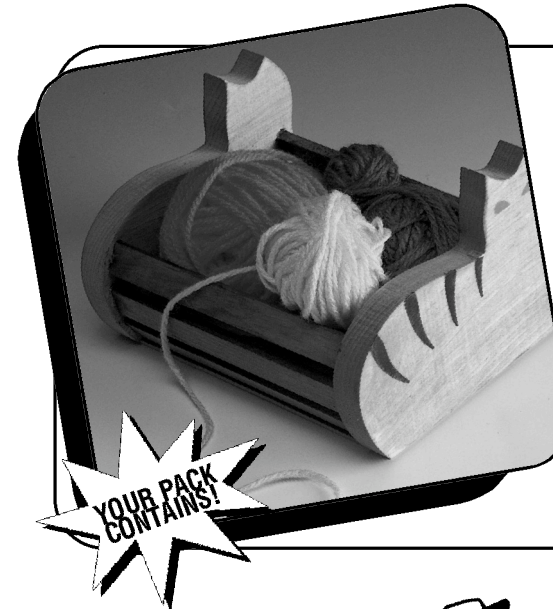
These are toxic and must be used in a well ventilated area. Indoor projects may be finished with decoupage or left unfinished.

Item No. WD3081

Made in China

Cat Basket

PLEASE READ ALL INSTRUCTIONS BEFORE STARTING



- 2 Precut Wood Cats
- Thin Wooden Base
- 6 Wood Slats
- Sandpaper
- Instructions

YOU WILL NEED... 

Protected Work Surface

Soft Cloth

Wood Glue

Brushes

Paint or Stain

S&S Worldwide

Customer Appreciation Special

\$10 OFF
Your Next Order of
only \$39.00 or more.

Please mention Offer Code: **M2467**

Minimum order \$39 excludes shipping and taxes. Limit one per order.

May not be combined with other offers or bid or contract pricing.

See current S&S® catalog or Help at [ssww.com](http://www.ssw.com) for Offer Terms and Conditions.

We reserve the right to terminate this offer at any time without notice."

SAVE MORE! SAVE!

SAVE MORE! SAVE!

Cat Basket Item# WD3081

CALL TOLL-FREE 1-800-243-9232 or Mail Your Order to:

S&S® Worldwide

PO Box 513

Colchester, CT 06415-0513

FAX #: 1-800-566-6678 Customer Service: 1-800-937-3482

Internet home page address: <http://www.ssw.com>

Email address: service@ssww.com



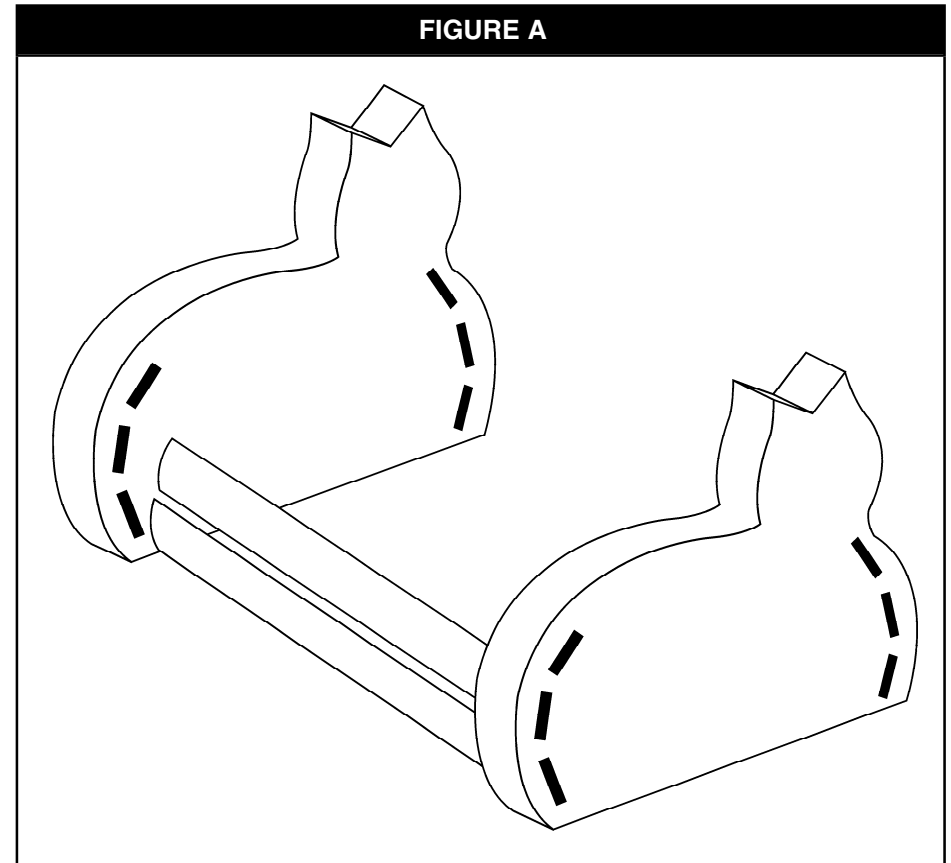
Safety First!

This Product May Contain Silicon Gel Packets.
REMOVE PRIOR TO USE!

Product Instructions:

- 1 Sand all wood parts until smooth. Test fit the slats in the holes. Sand the slats, if necessary, until they fit into the holes easily. Remove excess dust with a soft cloth.
- 2 Stain or paint the wood pieces for an attractive look.
- 3 Let dry for 30 minutes.
- 4 Place one cat end flat on the work surface with routed holes facing up. Apply glue to inside of all 6 routed holes. Insert one end of 6 slats into each hole (See Fig. A).
- 5 Repeat the same process for the opposite cat end and remaining slats. Let glue dry for 30 minutes.
- 6 Turn basket completely upside down and apply glue along bottom narrow edge of cat ends.

FIGURE A



- 7 Press the wood base over glued areas, making sure edges of cat ends and base are flush.
- 8 Turn basket back to an upright position to dry for 30 minutes.

