

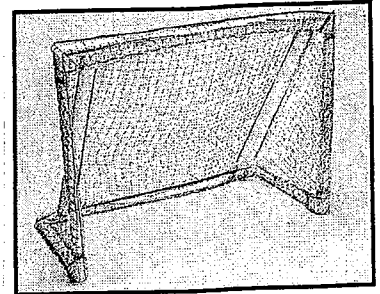
## FGBB - DOUBLE BACK BAR SPORTS GOAL

Goal Size:	3x4	4x6	6x8
Top cross bar (labeled)	1 - 44"	2 - 32" plus coupling	2 - 44" (1 - labeled) plus coupling
Bottom cross bar	1 - 44"	2 - 32" plus coupling	2 - 44" plus coupling
Front uprights	2 - 32"	2 - 44"	4 - 32" plus couplings
Back support bars	2 - 38"	4 - 27-1/2" plus couplings	4 - 36-1/2" plus couplings
Lower side bars	2 - 16"	2 - 32"	2 - 32"

All goals include:

	3x4	4x6	6x8
Slip Tees	4	4	4
Elbows	4	4	4
Loc 90 Elbows	2	2	2
2-1/4" Bolts	10	10	22
Nuts	10	10	22
Push-button Spring Clips	2	2	2
Bungee Net	1	1	1
Couplings	0	4 (no holes)	6 (with holes)
J-Hooks (ground stakes)	2	2	2

**Note:** Both the 4x6 and 6x8 FGBB goals require couplings for assembly.



### Assembly Instructions:

1. Lay out all component parts by description.
2. Assemble split sections with couplings (as noted above).
3. Slide 1 slip tee over each end of the top cross bar. The slip tees will be used for placement of the back support bars (Figure A). Place 1 elbow onto each end of the top cross bar and secure with the bolts and nuts. (Figure B)
4. Attach front upright bars to top elbow with the 1-1/4" bolts and nuts.
5. Repeat steps 3 & 4 for the bottom crossbar.
6. Connect front uprights to lower side bars by inserting the Loc 90 fittings.
7. Install both back support bars into the slip tees and position them to the outside of the goal for additional frame support. (Figure A)

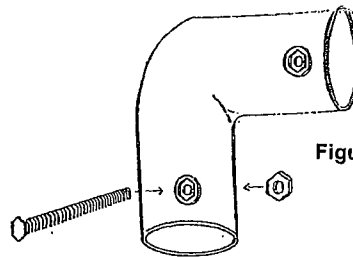


Figure B

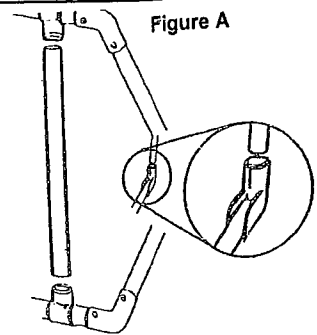
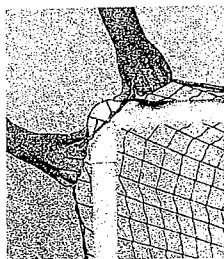


Figure A

### Bungee Net Instructions:

Find tab on the bungee net. Position tab at the center of the top crossbar. Slip bungee net over the corners of both the top crossbar and the bottom crossbar. Bring the sides of the netting down and over the lower front corners and adjust the net over the side bars. Velcro tabs or polyties (OPTIONAL) can be attached at the corners of net for a tight and secure fit.

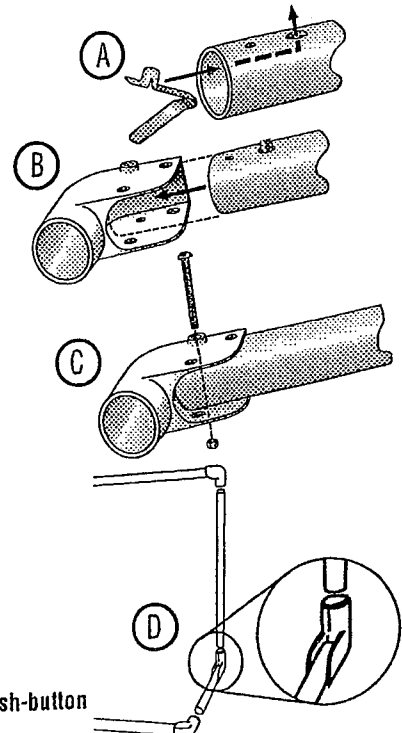


### NOTES:

- You must remove the back support bars before collapsing the goal.
- The PVC used in your goal is formulated for flexibility and safety. Excessive heat or cold will affect the use of the goal. Recommended temperatures are between 40° and 100° Fahrenheit.

### LOC 90 Assembly

Insert the push-button springs into drilled PVC sections (side bars) as shown in Diagram A. Insert the PVC pipe into the Loc-90 (Diagram B) and depress the push-button to enable the pipe to be fully inserted into the special elbow. Allow the push-button to snap into the elbow hole as indicated by the arrow. Insert bolts through the elbow and pipe as shown in Diagram C. Use flat-head screw driver to attach the nuts to each bolt. See Diagram D for proper placement of the Loc 90 fitting on the goal.



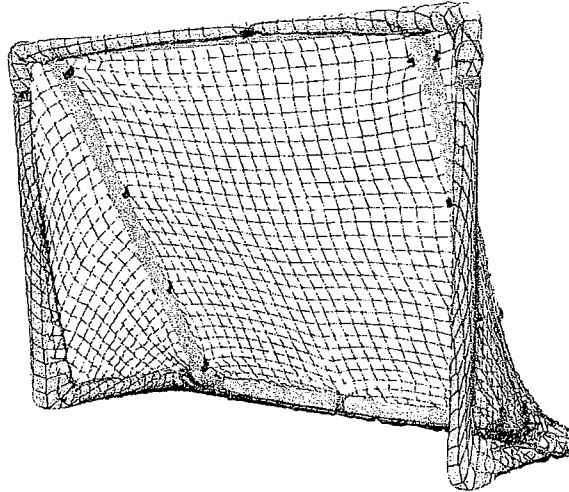
**Remember to depress the push-button springs to collapse the goal.**



2150 SOUTH TEJON STREET  
ENGLEWOOD, CO 80110  
Phone: (303) 935-8449  
Fax: (303) 935-8872  
[www.parksun.com](http://www.parksun.com)

## PVC Sports Goals with Double Bar Back Support

(Models: FGBB-432...FGBB-643...FGBB-864 )



Start scoring with the Park & Sun PVC Sports Goal. For over 25 years, Park & Sun Sports has designed, manufactured and distributed high quality sporting goods. We hope you enjoy this goal and get many hours of practice and play from it. A few points on your new goal:

- Thanks to the Loc 90 fittings on this goal, you can collapse your goal quickly and easily, which makes storing or transporting your PVC Sports Goal a breeze. Simply remove the two middle back bars and fold the goal down.
- Bungee Slip Net™. How cool is this??? The Bungee Slip Net™ simply slips over the frame of the goal and attaches with Velcro straps. No stringing or sliding the frame through a sleeve...just slip the net over the frame, attach with the straps and DONE!
- It can be used indoors or outdoors ("J" hooks provided to anchor the goal on grass surface).
- The frame is made with high impact 1-5/8" white PVC which resists cracking and discoloring.
- You can use this goal for a variety of sports.

### Goal sizes available:

- 4'x3'x2' (FGBB-432)
- 6'x4'x3' (FGBB-643 & FGBB-643-R)
- 8'x6'x4' (FGBB-864)

That should just about cover it! Assembly of the goal is quick and easy, so you should be enjoying the goal in no time at all. So once again, thank you from Park & Sun Sports and HAVE FUN!

### STORAGE AND USE:

The PVC used is formulated for flexibility and safety and for use at temperatures between 40° and 100° Fahrenheit. Excessive heat or cold will affect the use of the goal.

Occasionally, the PVC tolerance with the fittings will not be as tight as needed. Wrap masking tape or white sports tape around the end of the PVC tubing and place the fitting over the tape. This will provide a tighter fit.