

Item Number

GP1503

1.3

S&S® Worldwide
MAKING IT EASY
to Help People Play and Learn Since 1906

Tile Coaster (Pk/12)

PLEASE READ ALL INSTRUCTIONS BEFORE STARTING



AGE GROUP: 7 and up
PREP TIME: 5 minutes
PROJECT TIME: 30 minutes

YOUR KIT CONTAINS:

- Masonite Boards
- Tile
- Glue
- Paint
- Brushes

YOU WILL NEED:

- Scissors
- Ruler
- Paper Towels
- Container of Water

Item Number

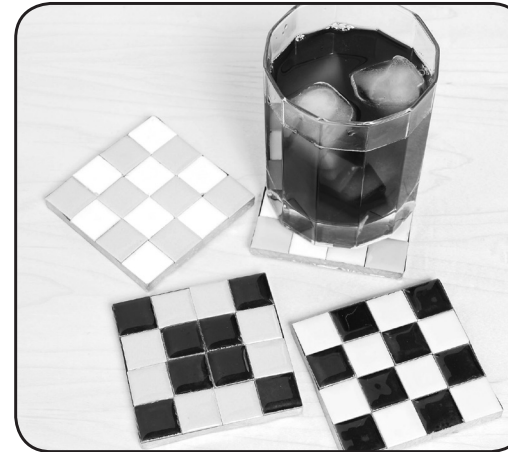
GP1503

1.3

S&S® Worldwide
MAKING IT EASY
to Help People Play and Learn Since 1906

Tile Coaster (Pk/12)

PLEASE READ ALL INSTRUCTIONS BEFORE STARTING



AGE GROUP: 7 and up
PREP TIME: 5 minutes
PROJECT TIME: 30 minutes

YOUR KIT CONTAINS:

- Masonite Boards
- Tile
- Glue
- Paint
- Brushes

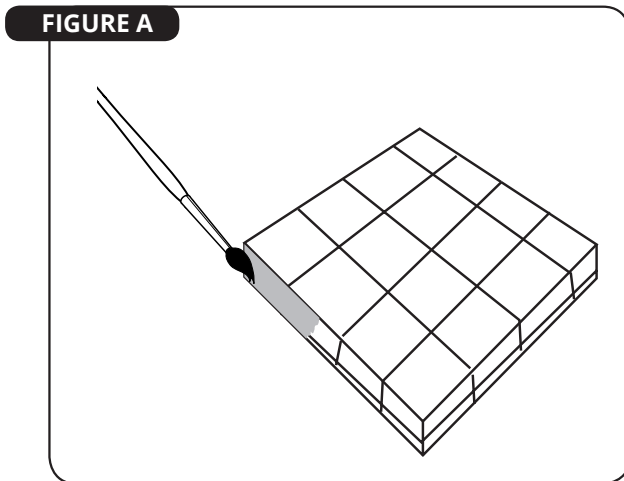
YOU WILL NEED:

- Scissors
- Ruler
- Paper Towels
- Container of Water

GP1503

INSTRUCTIONS:

1. Select one board, 16 tiles.
2. Plan out the placement of your tiles.
3. Apply a coat of glue to the board's entire top. Place the tiles on the board, fitting them snugly to one another. Let dry.
4. Paint the edge of the coaster to finish (see Figure A). Let dry.



Find ideas at [SSWW.com/blog](https://www.ssworldwide.com/blog)



@SSWorldwidecatalog



@ssworldwide



@ssworldwide



@SSWorldwide

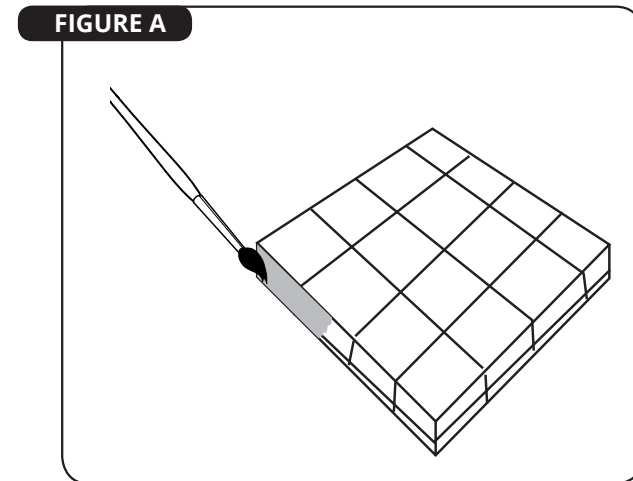
S&SWorldwide

© Copyright 2018 S&S® Worldwide Inc. All rights reserved. No part of this project may be copied or duplicated without the express written permission of S&S Worldwide.

GP1503

INSTRUCTIONS:

1. Select one board, 16 tiles.
2. Plan out the placement of your tiles.
3. Apply a coat of glue to the board's entire top. Place the tiles on the board, fitting them snugly to one another. Let dry.
4. Paint the edge of the coaster to finish (see Figure A). Let dry.



Find ideas at [SSWW.com/blog](https://www.ssworldwide.com/blog)



@SSWorldwidecatalog



@ssworldwide



@ssworldwide



@SSWorldwide

S&SWorldwide

© Copyright 2018 S&S® Worldwide Inc. All rights reserved. No part of this project may be copied or duplicated without the express written permission of S&S Worldwide.