

GP2178

Patriotic Key Fob Kit (Pk/50)

MORE IDEAS...



Try knotting in a square instead of a spiral.



Makes a great backpack dangler.

MAKING IT EASY to **SAVE MORE** on your next order!

\$10 OFF
Your Next Order of
only \$39⁰⁰ or more.

Please mention Offer Code: **M2467**

Minimum order \$39 excludes shipping and taxes.

Limit one per order.

May not be combined with other offers
or bid or contract pricing.

See current S&S® catalog or Help at
ssww.com for Offer Terms and Conditions.

We reserve the right to terminate this
offer at any time without notice.

Call Toll-Free
1-800-243-9232

Online:
SSWW.COM

Customer Service:
1-800-937-3482

Email:
cservice@ssww.com

FAX:
1-800-566-6678

S&S Worldwide

© Copyright 2012 S&S® Worldwide Inc. All rights reserved. No part of this project may be copied
or duplicated without the express written permission of S&S Worldwide.

Reorder Number

GP2178

1.2

S&S Worldwide
MAKING IT EASY
to Help People Play and Learn



Patriotic Key Fob Kit (Pk/50)

PLEASE READ ALL INSTRUCTIONS BEFORE STARTING

YOUR KIT CONTAINS:

- Plastic Lacing
- Lanyard Hooks
- Beads
- Tablecloth

YOU WILL NEED:

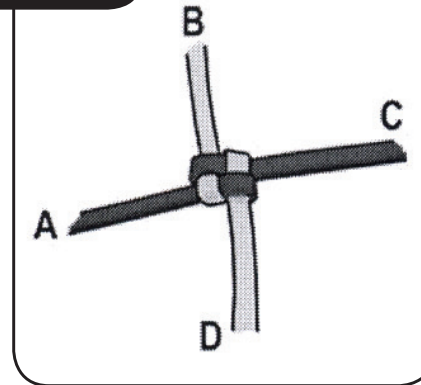
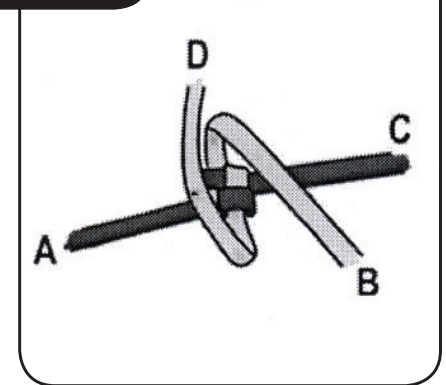
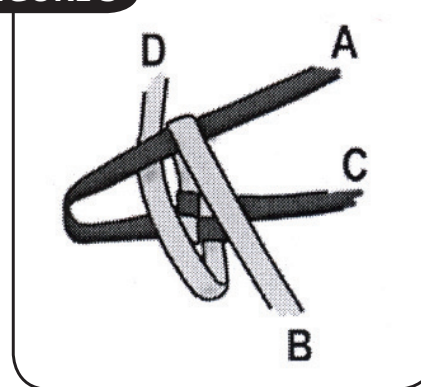
- Scissors

AGE GROUP: 10 and up
PROJECT TIME: 45 minutes



INSTRUCTIONS:

1. Cut the cord into 2 yard pieces. You will need one red and one blue for each lanyard.
2. Bend the 2 lacing pieces in half and thread through the lanyard hook at the halfway mark.
3. Begin lacing with the 4 cords by following the following diagrams. (See Figures 1-4).
4. Each layer of knots is at a diagonal to the previous layer, so the cord twists.
5. Continue until your lanyard is about 3 inches long.
6. Tie a knot in all of the ends.
7. Thread on the beads for the tails and tie another knot at the end of each tail. The cord ends may need to be trimmed before the final knots are made.

FIGURE 1**FIGURE 2****FIGURE 3****FIGURE 4**