

GP1662

Picket Fence Frame (Pk/12)

MORE IDEAS...



Add beads, craft trims and accents to personalize your frame.



Make many and give as gifts.

MAKING IT EASY to SAVE MORE on your next order!

\$10 OFF
Your Next Order of
only \$39⁰⁰ or more.

Please mention Offer Code: **M2467**

Minimum order \$39 excludes shipping and taxes.
Limit one per order.

May not be combined with other offers
or bid or contract pricing.

See current S&S® catalog or Help at
ssww.com for Offer Terms and Conditions.

We reserve the right to terminate this
offer at any time without notice.

Call Toll-Free
1-800-243-9232

Online:
SSWW.COM

Customer Service:
1-800-937-3482

Email:
cservice@ssww.com

FAX:
1-800-566-6678

S&SWorldwide

© Copyright 2012 S&S® Worldwide Inc. All rights reserved. No part of this project may be copied
or duplicated without the express written permission of S&S Worldwide.

Reorder Number

GP1662

1.1

S&SWorldwide
MAKING IT EASY
to Help People Play and Learn



Picket Fence Frame (Pk/12)

PLEASE READ ALL INSTRUCTIONS BEFORE STARTING



YOUR KIT CONTAINS:

- Wood Pieces
- Dowels
- Paint
- Glue
- Brushes
- Butterflies
- Tablecloth

AGE GROUP: 8 and up
PREP TIME: 10 minutes
PROJECT TIME: 45 minutes

YOU WILL NEED:

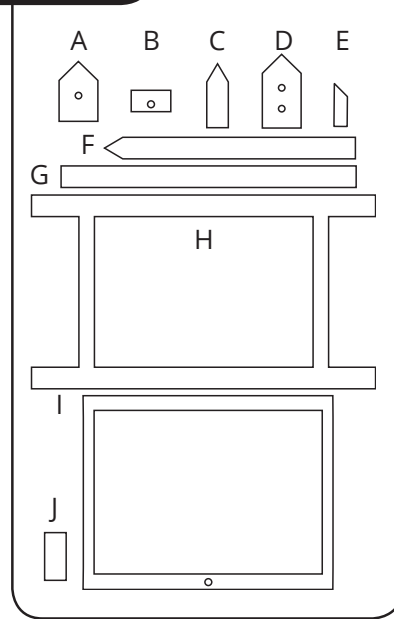
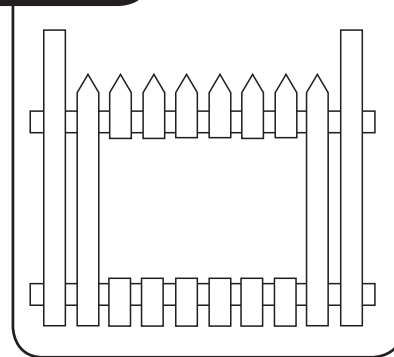
- Container for Water
- Paper Towels

PREP INSTRUCTIONS:

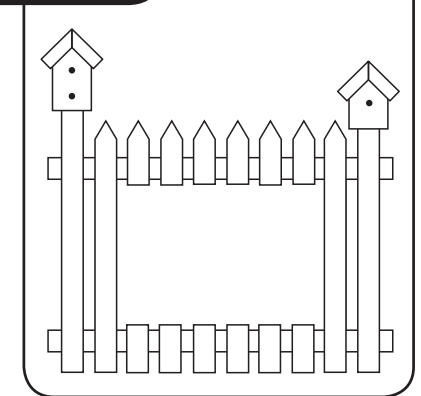
Each frame will need the following:
 1 each of A,B,D,H,I, 2 each of F and
 G, 4 each of E and 6 each of C and J.

PROJECT INSTRUCTIONS:

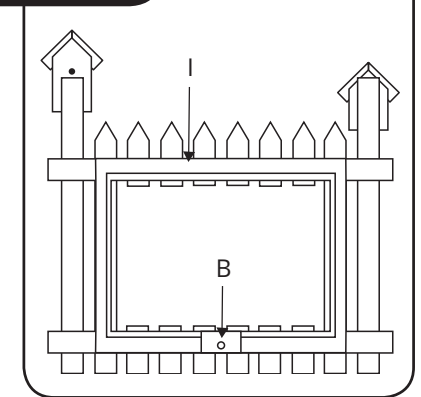
1. Lay part H flat on your work surface. Glue parts C,F,G and J in place (see Figure B).

FIGURE A**FIGURE B**

2. Glue parts A,D and E in place (see Figure C). Let dry.

FIGURE C

3. Turn frame over. Remove the center section from part I. Glue the outside of part I and part B onto H (see Figure D). Let dry.

FIGURE D

4. Turn frame over. Paint as desired. Let dry.
5. Glue butterfly in place. Let dry.
6. Turn over. Glue dowel into hole in part B. Let dry.
7. Lay your picture to the frame I and replace center of part I to hold picture in place.