

GP1660

## Colorlite™ Kaleidoscope (Pk/12)

### MORE IDEAS...



Explain how a kaleidoscope works. What other devices use mirrors?



Use additional craft trims to embellish your kaleidoscope.



Use leftover tissue paper squares and glitter glaze to create additional Colorlite™ projects.

**MAKING IT EASY to SAVE MORE on your next order!**

**\$10 OFF**  
Your Next Order of  
only \$39<sup>00</sup> or more.

Please mention Offer Code: **M2467**

Minimum order \$39 excludes shipping and taxes.  
Limit one per order.

May not be combined with other offers  
or bid or contract pricing.

See current S&S® catalog or Help at  
swww.com for Offer Terms and Conditions.

We reserve the right to terminate this  
offer at any time without notice.

**S&S** Worldwide

© Copyright 2012 S&S® Worldwide Inc. All rights reserved. No part of  
this project may be copied or duplicated without the express written  
permission of S&S Worldwide.

Call Toll-Free  
**1-800-243-9232**

Online:  
**SSWW.COM**



Customer Service:  
**1-800-937-3482**

Email:  
**cservice@swww.com**

FAX:  
**1-800-566-6678**

Reorder Number

GP1660

1.1

**S&S** Worldwide  
**MAKING IT EASY**  
to Help People Play and Learn



## Colorlite™ Kaleidoscope (Pk/12)

PLEASE READ ALL INSTRUCTIONS BEFORE STARTING



### YOUR KIT CONTAINS:

- Tubes
- Die Cut Shapes
- Tissue Paper Squares
- Paper Fasteners
- Glitter Glaze & Brushes
- Plastic Circles
- Mirror Sheets
- Glue
- Plastic Table Cover

### YOU WILL NEED:

- Tape
- Scissors

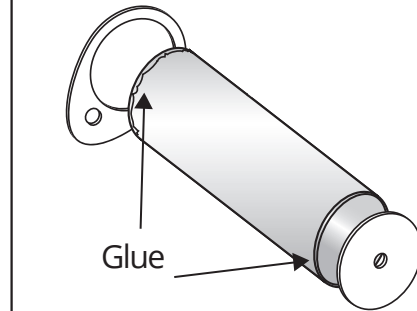
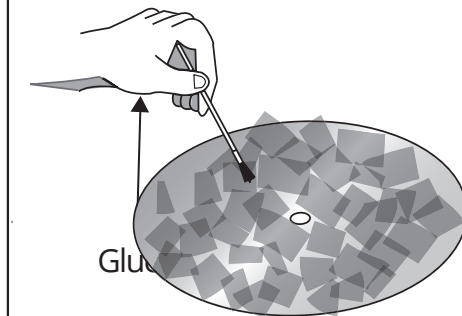
**AGE GROUP: 7 and up**

**PREP TIME: 5 minutes**

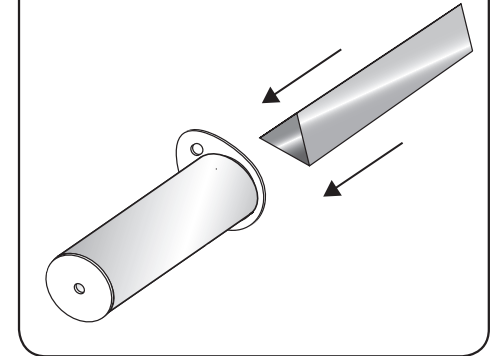
**PROJECT TIME: 45 minutes**

**INSTRUCTIONS:**

1. Select one egg shaped cardboard ring, one tube, and one small cardboard circle. Apply white glue to both ends of the tube. Glue the ring and circle in place as shown in Figure A. Let dry. Decorate the tube by decoupage tissue paper squares onto the tube using glitter glaze.
2. Using glitter glaze, decoupage tissue paper squares onto one side of the clear circle (see Figure B). Be sure to cover the entire circle with tissue squares. Coat entire decoupage surface with an additional coat of glitter glaze. Let dry.
3. Trim any excess tissue paper from the edges of the decoupage circle. Select one large cardboard ring. Slip the decoupage circle under the tabs on the ring. Glue in place. Let dry.

**FIGURE A****FIGURE B**

4. Select one mirror sheet. Fold in thirds lengthwise. Tape edges together to form a long triangle shape. Slide mirror sheet into cardboard tube (see Figure C).
5. Using a paper fastener, affix the Colorlite™ wheel to the kaleidoscope as shown in Figure D.

**FIGURE C**

Hold your kaleidoscope up to the light and slowly turn the ring.

**FIGURE D**