

GP1658

Wooden Race Cars (Pk/12)

MORE IDEAS...



Have a wooden racecar race.



Decorate your racecar to match your favorite Nascar®.



Can you design your own racecar? What parts are similar or different?

MAKING IT EASY to SAVE MORE on your next order!

15% OFF
No \$ Minimum

Please mention Offer Code: **M2467**

Limit one per order.

May not be combined with other offers or bid or contract pricing.

See ssww.com for Offer Terms and Conditions.

We reserve the right to terminate this offer at any time without notice.

Call Toll-Free
1-800-243-9232

Online:
SSWW.COM

Email:
cservice@ssww.com

FAX:
1-800-566-6678

S&SWorldwide

© Copyright 2018 S&S® Worldwide Inc. All rights reserved.
No part of this project may be copied or duplicated without the express written permission of S&S Worldwide.

Kit may contain silicone gel packets, which should be removed before use.

Reorder Number

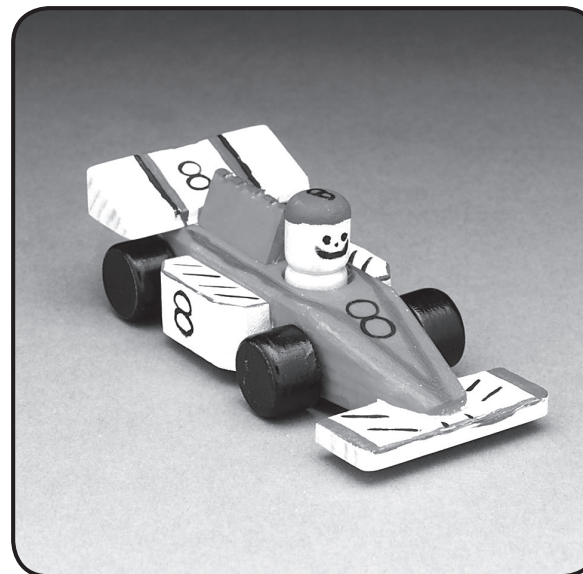
GP1658

1.3

S&S® Worldwide
MAKING IT EASY
to Help People Play and Learn Since 1906

Wooden Race Cars (Pk/12)

PLEASE READ ALL INSTRUCTIONS BEFORE STARTING



YOUR KIT CONTAINS:

- Wooden Parts
- Glue
- Brushes
- Paint

AGE GROUP: 7 and up
PREP TIME: 5 minutes
PROJECT TIME: 30 minutes

YOU WILL NEED:

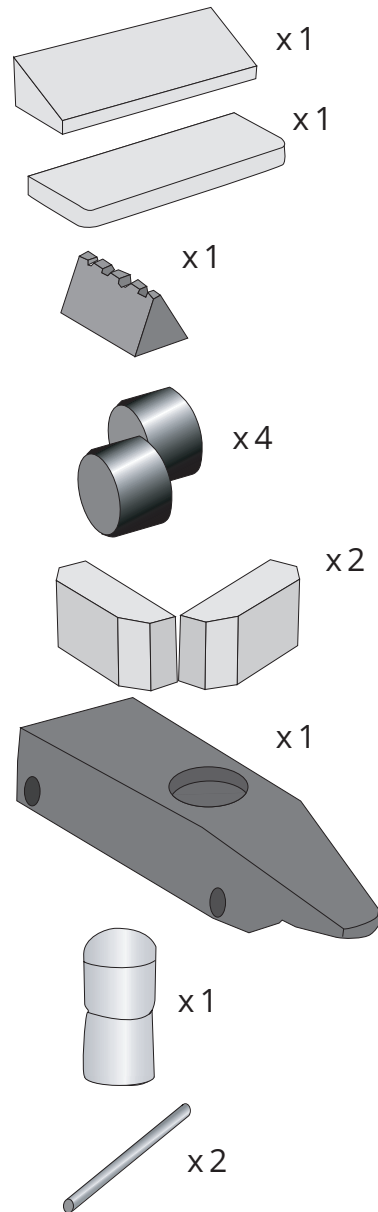
- Containers for Water
- Paper Towels

PREP INSTRUCTIONS:

1. Separate wooden parts for the race car in the quantities shown in Figure A.

INSTRUCTIONS:

1. Using glue, assemble the race car as shown in Figure B. Glue the wheels to the dowel, not the body.
2. Paint the race car as desired. Paint background color first. Allow to dry before painting on detail.

FIGURE A**FIGURE B**